



---

---

Cell Phone 713 775-4715

E-mail: RROCHERR@YAHOO.COM

Mario A. Tamez  
Standard Cement Materials Inc  
Houston, TX 77092

Re: Structural Information – Reliner MSP Cement and 4553 Epoxy Coating for Sewer Manhole Rehabilitation.

- PROBLEM:**
1. Will this rehabilitated brick manhole withstand an HS-20 loading?
  2. How does the Reliner MSP Cement enhance the structural integrity of this existing brick manhole?
  3. How does the Reliner MSP Cement and 4553 Epoxy Coating enhance the structural integrity of this existing brick manhole?

Given: 4 foot ID diameter manhole w/8 inch brick walls (Double Stacked)  
Brick = 2-1/2" x 4" x 8-1/4", Grade MM of ASTM C32  
Brick Unit Compressive Strength = 5200 Psi  
Type M Mortar Compressive Strength = 4500 Psi (Assumption)  
 $f'_c = 8000$  Psi for Reliner MSP (Standard Cement)  
HS-20 Loading = 32,000 lbs/axle/16,000 lbs/wheel assy. (AASHTO)  
 $f'_{cep} = 10,550$  Psi for Standard 4553 Epoxy Coating (Standard Cement)  
Reliner MSP Cement = 1/2 inch thick  
Standard 4553 Epoxy Coating – 125 mil thickness

**ANALYSIS:**

Based on the Masonry Standards Joint Committee (MSJC) as developed in the “Building Code Requirements for Masonry Structures” (ACI530/ASCE 5/TMS 402) and;

“Specifications for Masonry Structures” (ACI530.1/ASCE 6.TMS 602);

“Building Code Requirements for Reinforced Concrete” ACI 318-05), American Concrete Institute.

**BRICK MANHOLE ANALYSIS:**

Determine the Compressive Strength for the Brick Manhole Masonry –  $f'_m$ :

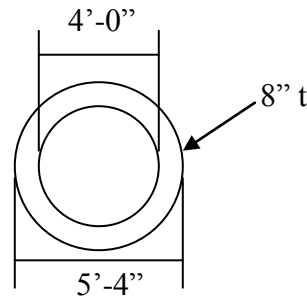
See Table 5 – Unit Strength Method of  $f'_m$  Compliance in the MSJC  
Specifications – 1525 Psi Linear Interpolation is permitted.

Determine Allowable Average Compressive Stress for the Brick Manhole –  $F_a$ :

See Table 2 – Allowable Compressive Stresses in the ACI 530/ASCE 5.

$F_a = 225$  Psi for Grouted Masonry Clay, Type M Mortar, for 4500 Psi or greater.

Determine the Gross Area for the Brick Manhole -  $A_g$



$$\text{Area of Manhole} = A_g = \frac{\pi (5.33)^2}{4} - \frac{\pi (4)^2}{4} = 22.34 - 12.57 = 9.77 \text{ Ft.}^2 = 1407 \text{ in}^2$$

Determine the Actual Compressive Stress due to the HS-20 Loading,  $f_a$

$$P_1 = \text{Service Live Load (HS-20)} = 16,000 \text{ lbs}$$

1.7 – Live Load Factor (ACI 318-05) Appendix C.2.1

$U = 1.4 D + 1.7 L$ ; Neglect D-dead load due to it is insignificant compared to the live load.

$$P_{ul} = 16,000 \text{ lbs} \times 1.7 = 27,200 \text{ lbs}$$

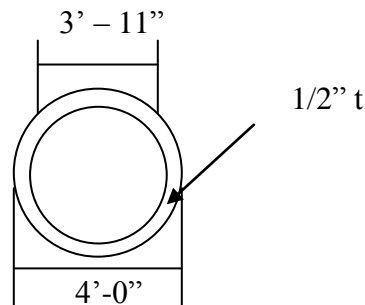
$$f_a = P_1 / A_g = 27,200 \text{ lbs} / 1407 \text{ in}^2 = 19.77 \text{ Psi} < 225 \text{ Psi}$$

Determine the Ultimate Load for the Brick Manhole –  $P_{ubm}$

$$P_{ubm} = A_g \times F_a = 1407 \text{ in}^2 \times 225 \text{ Psi} = 316,575 \text{ lbs}$$

### **RELINER MSP CEMENT ANALYSIS:**

Determine the Gross Area of the Reliner MSP Cement -  $A_{gmsp}$



$$A_{gmsp} \text{ of Reliner MSP Cement} = \frac{\pi (4)^2}{4} - \frac{\pi (3.917)^2}{4} = 12.57 - 12.05 = 0.52 \text{ Ft}^2 = 74.84 \text{ in}^2$$

Determine the Actual Compressive Stress due to the HS-20 Loading with Reliner MSP Cement,  $f_{amsp}$

$$f_{amsp} = P_1 / (A_g + A_{gmsp}) = 27,200 \text{ lbs} / (1407 \text{ in}^2 + 74.84 \text{ in}^2) = 18.36 \text{ Psi}$$

Determine the Percent of Reduction of Stress on the Brick Manhole w/ Reliner MSP Cement

$$\% \text{ Reduction} = \frac{19.77 \text{ Psi} - 18.36 \text{ Psi}}{19.77 \text{ Psi}} = 7.1\%$$

Conclusion: The rehabilitated brick manhole with Reliner MSP Cement can carry the support of the HS-20 truck loading in addition to having a 7.1% reduction in compressive stress due to axial loading.

Determine the Increase in Structural Capacity in utilizing Ultimate Strength Design Method for Reliner MSP Cement: Assumption: Analyze as a Load-Bearing Wall w/ no Eccentricity.

Determine the Allowable Stress for the Reliner MSP Cement –  $F_{amsp}$

$\Phi$  - Strength Reduction Factor (ACI 318-05, Chapter 9, Section 9.3.2.4)

$$\Phi = 0.65, \text{ Bearing on Concrete}$$

$$F_{amsp} = \Phi \times f_c' = 0.65 \times 8000 \text{ Psi} = 5200 \text{ Psi}$$

Determine the Ultimate Load of the Reliner MSP Cement –  $P_{umsp}$  - Conservative approach is to use the Empirical Design Method, ACI 318-05, Chapter 14 – Walls, Section 14.5, Eq. Sec. 14.5.2

$$\Phi P_{umsp} = 0.55 \times \Phi \times f_c' \times A_{gmsp} [1 - (kl_c / 32h)^2] \text{ Since } l_c \text{ is continuously supported } l_c = 0; \text{ the expression goes to zero on the right side.}$$

$$= 0.55 \times 0.65 \times 8000 \text{ Psi} \times 74.84 \text{ in}^2 = 214,042 \text{ lbs.}$$

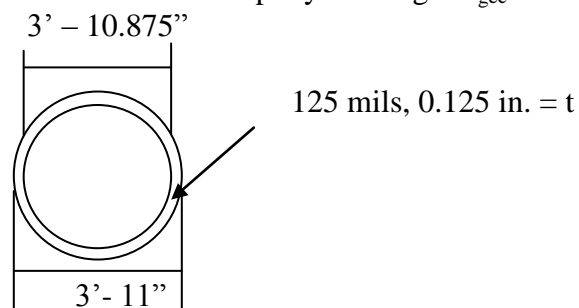
$$P_{tot} = P_{ubm} + P_{umsp} = 316,575 \text{ lbs} + 241,042 \text{ lbs} = 530,617 \text{ lbs}$$

$$\% \text{ increase} = 530,617 / 316,575 = 1.68 \quad 68 \% \text{ increase in manhole strength}$$

Pursuant to performing the following calculations for determining the increased strength due to the rehabilitation of a manhole with a ½ inch liner I have calculated a 68% increase in manhole strength and a 7.1% reduction in stress. This analysis does not take into account the deterioration, age or condition of an existing manhole which would ultimately result in higher and improved values.

### **RELINER MSP CEMENT & STANDARD 4553 EPOXY COATING ANALYSIS:**

Determine the Gross Area of the Standard 4553 Epoxy Coating -  $A_{gec}$



$$A_{\text{gec}} \text{ of Reliner MSP Cement} = \frac{\pi (3.917)^2}{4} - \frac{\pi (3.906)^2}{4} = 12.05 - 11.983 = 0.0673 \text{ Ft}^2 = 9.69 \text{ in}^2$$

Determine the Actual Compressive Stress due to the HS-20 Loading with Reliner MSP Cement,  $f_{\text{amsp}}$

and Standard 4553 Epoxy Coating,  $f_{\text{ep}}$

$$(f_{\text{amsp}} + f_{\text{ep}}) = P_1 / (A_g + A_{\text{gmsp}} + A_{\text{gec}}) = 27,200 \text{ lbs} / (1407 \text{ in}^2 + 74.84 \text{ in}^2 + 9.69 \text{ in}^2) = 18.24 \text{ Psi}$$

Determine the Percent of Reduction of Stress on the Brick Manhole w/ Reliner MSP

$$\% \text{ Reduction} = \frac{19.77 \text{ Psi} - 18.24 \text{ Psi}}{19.77 \text{ Psi}} = 7.74 \%$$

Conclusion: The rehabilitated brick manhole with Reliner MSP Cement and Standard 4553 Epoxy Coating can carry the support of the HS-20 truck loading in addition to having a 7.74% reduction in compressive stress due to axial loading.

**Determine the Ultimate Load for the Standard 4553 Epoxy Coating –  $P_{\text{ec}}$**

$$P_{\text{ec}} = A_{\text{gec}} \times F_{\text{acc}} = 9.69 \text{ in}^2 \times 10,550 \text{ Psi} = 102,230 \text{ lbs}$$

$$P_{\text{tot}} = P_{\text{ubm}} + P_{\text{umsp}} + P_{\text{ec}} = 316,575 \text{ lbs} + 241,042 \text{ lbs} + 102,230 \text{ lbs} = 659,847 \text{ lbs}$$

$$\% \text{ increase} = 659,847 / 316,575 = 2.08 \quad 108 \% \text{ increase in manhole strength}$$

Pursuant to performing the following calculations for determining the increased strength due to the rehabilitation of a manhole with a ½ inch liner and 125 mils of Standard 4553 Epoxy Liner, I have calculated a 108% increase in manhole strength and a 7.74% reduction in stress. This analysis does not take into account the deterioration, age or condition of an existing manhole which would ultimately result in higher and improved values.

If there is any other information that you need, please feel free to contact me at the above number.

Sincerely,  
Ronald C. Roche, P.E.



08/21/2009

